









6 WEEK CAMPAIGN

② OPTION TWO INFERREDIBLE/INFLUENCE
CREATE SOME TERMS
VALUE

- 6 WEEKS PROMOTIONAL WITH A MEDIA GROUP
- TALKING (PC)
 - PARTNER
 - CONTENT DELIVERY OVER 2
6 WEEKS PERIOD ACROSS ALL
MEDIA PROPERTIES
 - SOCIAL SEEDING, IF THE CONTENT ON
 - BLOGS
 - SOCIAL SNS/NETWORK (FACEBOOK)
 - VIDEO PLATFORM (YOUTUBE/DAILY, ET)
 - NEWS OTHER BLOGS/WE (EIN)
 - SOCIAL BROWSEWARS (OR WEBSITE, BLOGS)
 - EMAIL BAIT TO COLLECTORS &
OF NEW CONTENT SOURCE

ADVERTISING AND
LINKS ACROSS
MEDIA GROUP PROPERTIES



SEEDING



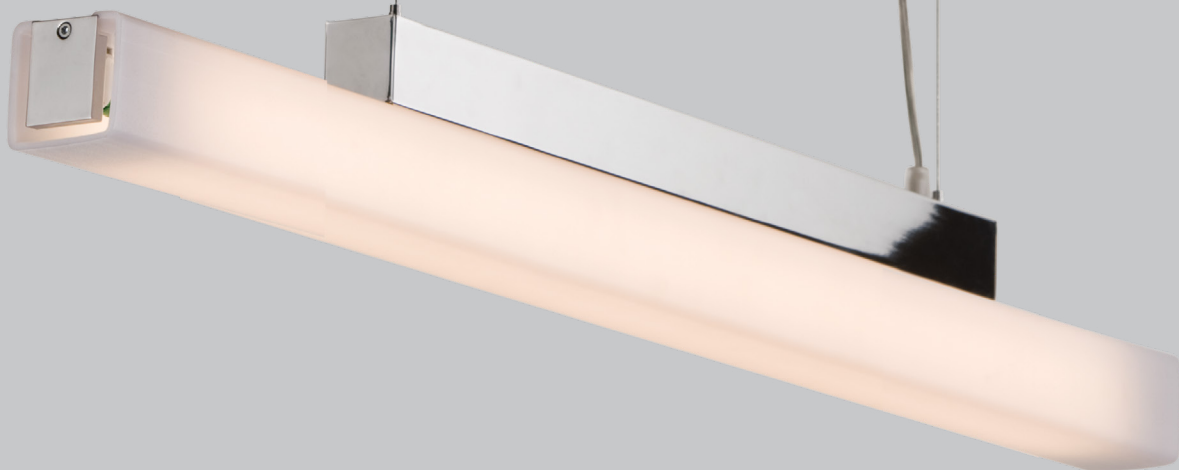
1 EPISODE
PER WEEK OF
THE FARM PROJECT

EPISODE ONE
PLANE ONE WEEK
AFTER, SEE THE
NEXT ONE ON SITE

round
profile



square
profile



Extruded high performance custom blended PMMA
Machined aluminium end caps & die-stamped steel structure with plated finish
LED & T5 HO light sources available. Dimming available

MOONRISE PLUS 3540

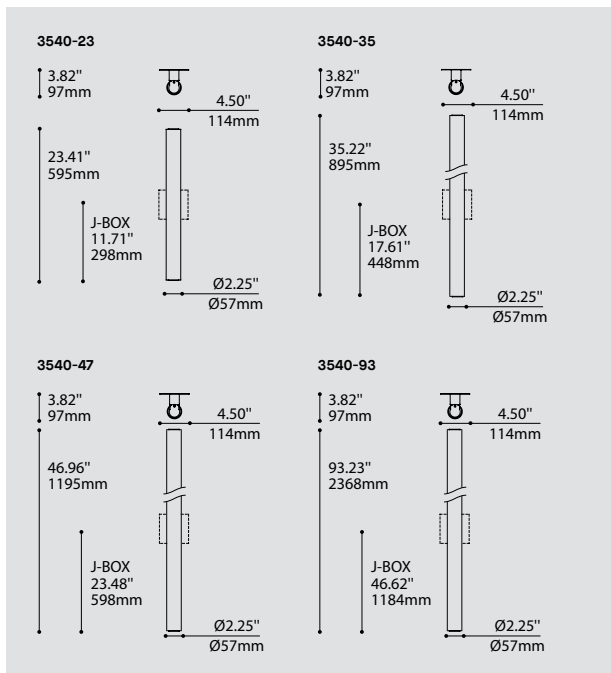
PROJECT PROJCT
SPEC TYPE
NOTES



FAMILY FAMILLE



74540 CEILING



ORDERING SPECIFICATION	SPÉCIFICATION DE COMMANDE	CODE
MODEL MODÈLE		3540
3540	MOONRISE PLUS (ROUND ACRYLIC)	
LUMINAIRE LENGTH LONGUEUR DU LUMINAIRE		
23	23"	
35	35"	
47	47"	
93	93"	
LIGHT SOURCE SOURCE LUMINEUSE		
<small>(WATTAGE, LAMP TYPE, LAMP FORM, BASE TYPE, OTHER INFO)</small>		
LED	REGULAR OUTPUT	
LED.HO	HIGH OUTPUT	
COLOR TEMPERATURE TEMPÉRATURE DE COULEUR		
30	3000K	
35	3500K	
40	4000K	
VOLTAGE VOLTAGE		
120V	120 VOLT	
277V	277 VOLT	
DIMMING OPTION OPTION DE GRADATION		
DV	0-10V DIMMING (120-277V)	
DP	PHASE DIMMING (120V ONLY)	
EMERGENCY BATTERY BATTERIE D'URGENCE		
<small>AVAILABLE WITH LED SOURCES 120-277V. EM DRIVER BOX INCLUDED, INSTALLED REMOTELY. SEE EM GUIDE FOR DETAILS.</small>		
EMB⁽¹⁾	EMERGENCY BATTERY FOR REMOTE BOX	
	<small>(1) 3981EA ACCESSORY IS REQUIRED</small>	
HOUSING & END CAPS FINISH FINI BOITIER & EMBOUTS		
CHR	CHROME	
S C	SATIN CHROME	
DIFFUSER FINISH FINI DIFFUSEUR		WH
WH	WHITE	
ACCESSORY ACCESSOIRE		
3980	MINI JUNCTION BOX	
3981EA	ELECTRICAL BOX FOR EMB EMERGENCY BATTERY	

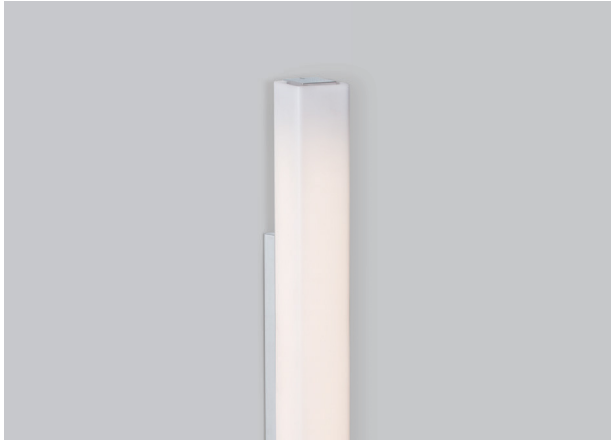
PRODUCT CHARACTERISTICS CARACTÉRISTIQUES DU PRODUIT



DESIGN:	Modern tubular (3540) or square (3541) design, available in four lengths. ADA compliant.
LIGHT SOURCE:	Dimming LED
HOUSING & ENDCAPS:	Machined aluminium end caps & die-stamped steel structure with plated finish coat finish.
DIFFUSER:	Extruded high performance custom blended PMMA.
CERTIFIED:	c-CSA-us
CONCEPTION:	EConforme à la norme ADA. Forme tubulaire (3540) ou carré (3541), offert en 4 longueurs.
SOURCE LUMINEUSE:	DEL à gradation .
BOITIER & EMBOUTS:	Embout d'aluminium usiné et acier embouti plaqués, blanche très réfléchissante.
DIFFUSEUR:	PMMA haute performance extrudé.
CERTIFIÉ:	c-CSA-us

MOONSET PLUS 3541

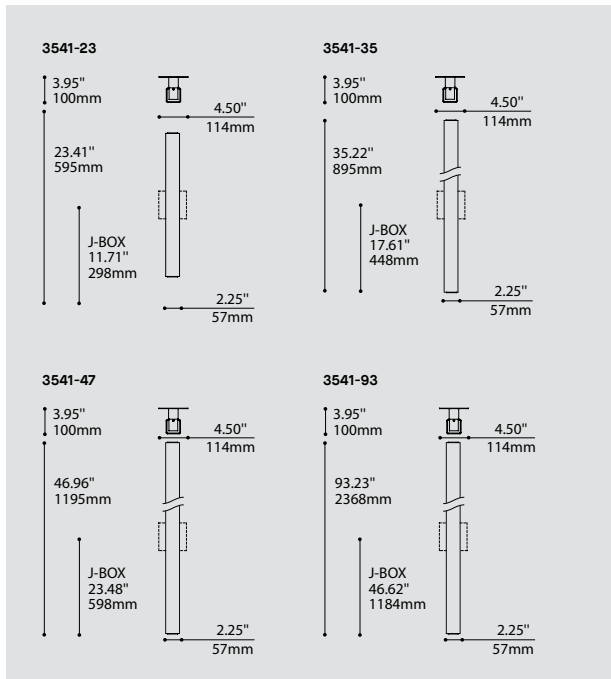
PROJECT PROJÉT
SPEC TYPE
NOTES



FAMILY FAMILLE



74541 CEILING



ORDERING SPECIFICATION SPÉCIFICATION DE COMMANDE		CODE
MODEL MODÈLE	3541 MOONSET PLUS (SQUARE ACRYLIC)	3541
LUMINAIRE LENGTH LONGUEUR DU LUMINAIRE		
23	23"	
35	35"	
47	47"	
93	93"	
LIGHT SOURCE SOURCE LUMINEUSE		
<small>(WATTAGE, LAMP TYPE, LAMP FORM, BASE TYPE, OTHER INFO)</small>		
LED	REGULAR OUTPUT	
LED.HO	HIGH OUTPUT	
COLOR TEMPERATURE TEMPÉRATURE DE COULEUR		
30	3000K	
35	3500K	
40	4000K	
VOLTAGE VOLTAGE		
120V	120 VOLT	
277V	277 VOLT	
DIMMING OPTION OPTION DE GRADATION		
DV	0-10V DIMMING (120-277V)	
DP	PHASE DIMMING (120V ONLY)	
EMERGENCY BATTERY BATTERIE D'URGENCE		
<small>AVAILABLE WITH LED SOURCES 120-277V. EM DRIVER BOX INCLUDED, INSTALLED REMOTELY. SEE EM GUIDE FOR DETAILS.</small>		
EMB ⁽¹⁾	EMERGENCY BATTERY FOR REMOTE BOX	
<small>(1) 3981EA ACCESSORY IS REQUIRED</small>		
HOUSING & END CAPS FINISH FINI BOITIER & EMBOUTS		
CHR	CHROME	
S C	SATIN CHROME	
DIFFUSER FINISH FINI DIFFUSEUR		WH
WH	WHITE	
ACCESSORY ACCESSOIRE		
3980	MINI JUNCTION BOX	
3981EA	ELECTRICAL BOX FOR EMB EMERGENCY BATTERY	

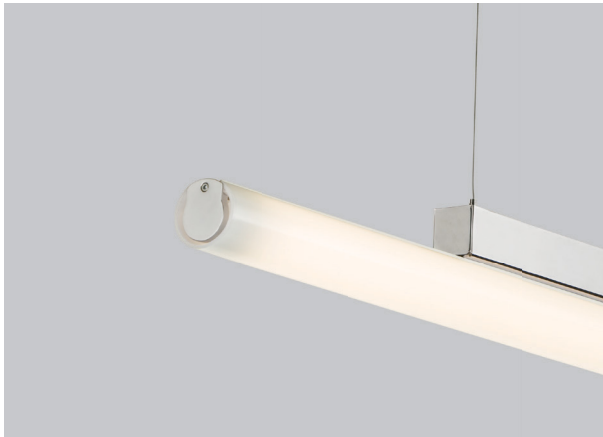
PRODUCT CHARACTERISTICS CARACTÉRISTIQUES DU PRODUIT



DESIGN:	Modern tubular (3540) or square (3541) design, available in four lengths. ADA compliant.
LIGHT SOURCE:	Dimming LED
HOUSING & ENDCAPS:	Machined aluminium end caps & die-stamped steel structure with plated finish coat finish.
DIFFUSER:	Extruded high performance custom blended PMMA.
CERTIFIED:	c-CSA-us
CONCEPTION:	EConforme à la norme ADA. Forme tubulaire (3540) ou carré (3541), offert en 4 longueurs.
SOURCE LUMINEUSE:	DEL à gradation.
BOITIER & EMBOUTS:	Embout d'aluminium usiné et acier embouti plaqués. blanche très réfléchissante.
DIFFUSEUR:	PMMA haute performance extrudé.
CERTIFIÉ:	c-CSA-us

MOONRISE PLUS 74540

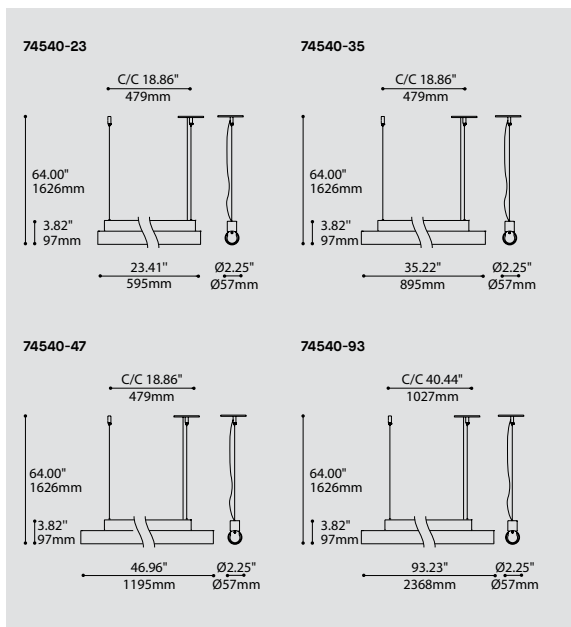
PROJECT PROJET
SPEC TYPE
NOTES



FAMILY FAMILLE



3540



ORDERING SPECIFICATION	SPÉCIFICATION DE COMMANDE	CODE
MODEL MODÈLE		74540
74540	MOONRISE PLUS (ROUND)	
LUMINAIRE LENGTH LONGUEUR DU LUMINAIRE		
23	23"	
35	35"	
47	47"	
93	93"	
LIGHT SOURCE SOURCE LUMINEUSE		
<small>(WATTAGE, LAMP TYPE, LAMP FORM, BASE TYPE, OTHER INFO)</small>		
LED	REGULAR OUTPUT	
LED.HO	HIGH OUTPUT	
COLOR TEMPERATURE TEMPÉRATURE DE COULEUR		
30	3000K	
35	3500K	
40	4000K	
VOLTAGE VOLTAGE		
120V	120 VOLT	
277V	277 VOLT	
DIMMING OPTION OPTION DE GRADATION		
DV	0-10V DIMMING (120-277V)	
DP	PHASE DIMMING (120V ONLY)	
CABLE CABLE		AC
AC	AIRCRAFT MOUNTING & CLEAR CABLE, FIELD ADJUSTABLE	
CABLE LENGTH LONGUEUR DE CABLE		
60	60" AIRCRAFT CABLE (STD LENGTH)	
**	CUSTOM AIRCRAFT CABLE LENGTH (PLEASE SPECIFY) FOR OVERALL LENGTH PLEASE CONTACT YOUR EUREKA REPRESENTATIVE.	
HOUSING & END CAPS FINISH FINI BOITIER & EMBOUTS*		
CHR	CHROME	
S C	SATIN CHROME	
CANOPY FINISH FINI PAVILLON		
WHE*	WHITE FINE TEXTURE <small>*IF NO FINISH IS SELECTED, CANOPY FINISH WILL BE THE SAME AS STRUCTURE FINISH</small>	
DIFFUSER FINISH FINI DIFFUSEUR		WH
WH	WHITE	

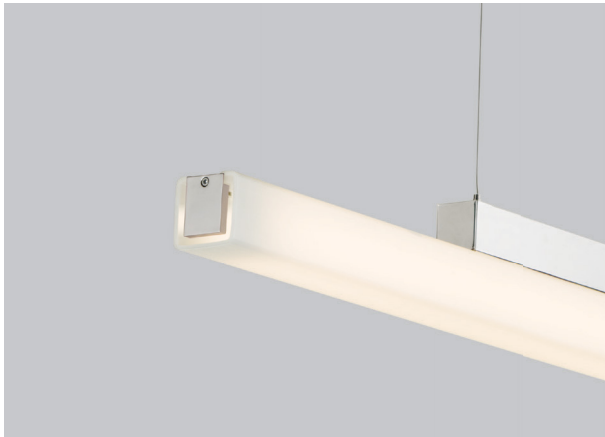
PRODUCT CHARACTERISTICS CARACTÉRISTIQUES DU PRODUIT



DESIGN:	Sleek pendant with round (74540) or square (74541) shade.
LIGHT SOURCE:	Dimming LED
HOUSING & END CAPS:	Machined aluminium end caps & die-stamped steel structure with plated finish coat finish.
DIFFUSER:	Extruded high performance custom blended PMMA.
CERTIFIED:	c-CSA-us
CONCEPTION:	Élégante suspension avec diffuseur rond (74540) ou carré (74541)
SOURCE LUMINEUSE:	DEL à gradation.
BOITIER & EMBOUTS:	Embout d'aluminium usiné et acier embouti plaqués. blanche très réfléchissante.
DIFFUSEUR:	PMMA haute performance extrudé.
CERTIFIÉ:	c-CSA-us

MOONSET PLUS 74541

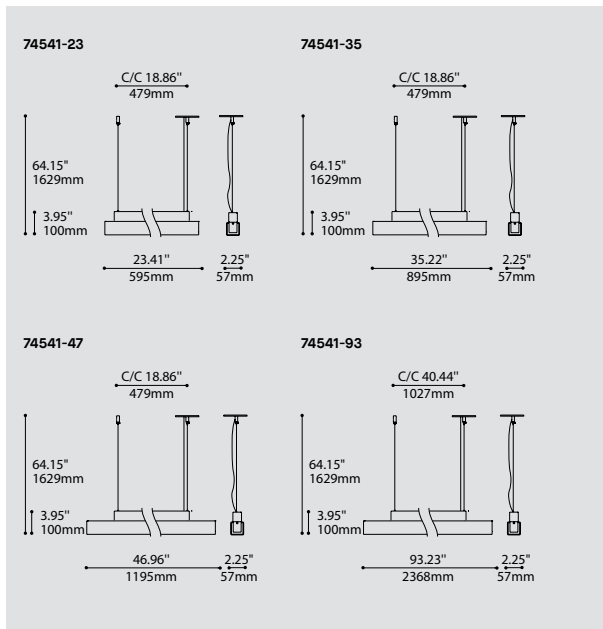
PROJECT PROJCT
SPEC TYPE
NOTES



FAMILY FAMILLE



3541



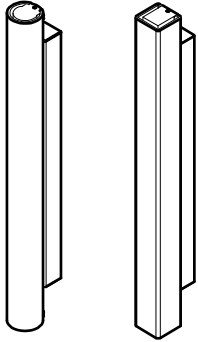
ORDERING SPECIFICATION	SPÉCIFICATION DE COMMANDE	CODE
MODEL MODÈLE		74541
74541	MOONSET PLUS (SQUARE)	
LUMINAIRE LENGTH LONGUEUR DU LUMINAIRE		
23	23"	
35	35"	
47	47"	
93	93"	
LIGHT SOURCE SOURCE LUMINEUSE		
<small>(WATTAGE, LAMP TYPE, LAMP FORM, BASE TYPE, OTHER INFO)</small>		
LED	REGULAR OUTPUT	
LED.HO	HIGH OUTPUT	
COLOR TEMPERATURE TEMPÉRATURE DE COULEUR		
30	3000K	
35	3500K	
40	4000K	
VOLTAGE VOLTAGE		
120V	120 VOLT	
277V	277 VOLT	
DIMMING OPTION OPTION DE GRADATION		
DV	0-10V DIMMING (120-277V)	
DP	PHASE DIMMING (120V ONLY)	
CABLE CABLE		AC
AC	AIRCRAFT MOUNTING & CLEAR CABLE, FIELD ADJUSTABLE	
CABLE LENGTH LONGUEUR DE CABLE		
60	60" AIRCRAFT CABLE (STD LENGTH)	
**	CUSTOM AIRCRAFT CABLE LENGTH (PLEASE SPECIFY) FOR OVERALL LENGTH PLEASE CONTACT YOUR EUREKA REPRESENTATIVE.	
HOUSING & END CAPS FINISH FINI BOITIER & EMBOUTS*		
CHR	CHROME	
S C	SATIN CHROME	
CANOPY FINISH FINI PAVILLON		
WHE*	WHITE FINE TEXTURE *IF NO FINISH IS SELECTED, CANOPY FINISH WILL BE THE SAME AS STRUCTURE FINISH	
DIFFUSER FINISH FINI DIFFUSEUR		WH
WH	WHITE	

PRODUCT CHARACTERISTICS CARACTÉRISTIQUES DU PRODUIT

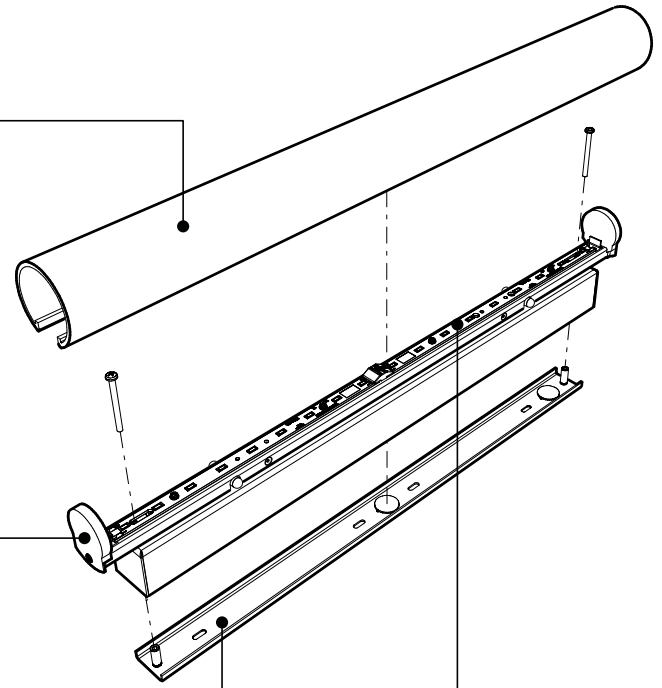


DESIGN:	Sleek pendant with round (74540) or square (74541) shade.
LIGHT SOURCE:	Dimming LED
HOUSING & ENDCAPS:	Machined aluminium end caps & die-stamped steel structure with plated finish coat finish.
DIFFUSER:	Extruded high performance custom blended PMMA.
CERTIFIED:	c-CSA-us
CONCEPTION:	Élégante suspension avec diffuseur rond (74540) ou carré (74541)
SOURCE LUMINEUSE:	DEL à gradation .
BOITIER & EMBOUTS:	Embout d'aluminium usiné et acier embouti plaqués. blanche très réfléchissante.
DIFFUSEUR:	PMMA haute performance extrudé.
CERTIFIÉ:	c-CSA-us

3540-23 MOONRISE 3541-23 MOONSET



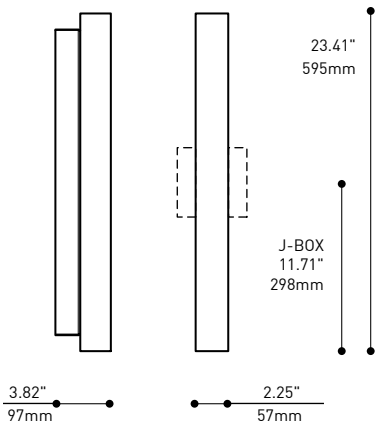
HIGH PERFORMANCE LENS
 Custom blended and extruded PMMA (Acrylic composite) lens perfectly diffused with led lights source, available in round and square shape



ENDCAPS
 Machined steel endcaps mechanically attached to structure with one-way security screw

EASY MOUNTING
 Die-formed steel structure provides an easy access to component wiring

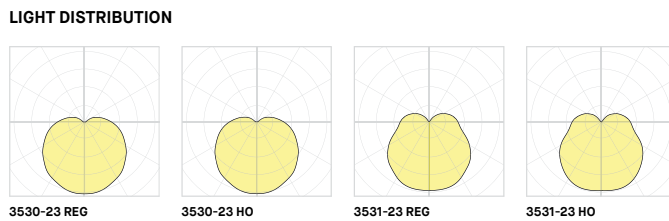
LED LIGHT ENGINE
 ANSI binned white LED Nichia w/ on-board thermal management



PRODUCT SPECIFICATION	3530-23 REG	3530-23 HO	3531-23 REG	3531-23 HO
PERFORMANCE				
SYSTEM WATTAGE	10 W	14.5 W	10 W	14.5 W
DELIVERED LUMENS (4000K)	899 LM	1292 LM	889 LM	1278 LM
EFFICACY	89.9 LM/W	89.1 LM/W	89.9 LM/W	88.14 LM/W
OTHER INFORMATIONS				
LUMINAIRE'S WEIGHT	6.13 LBS / 2.78 KG	6.13 LBS / 2.78 KG	6.13 LBS / 2.78 KG	6.13 LBS / 2.78 KG
L70 (MAINTENANCE DE LA LUMIÈRE)	> 60 000HRS	> 60 000HRS	> 60 000HRS	> 60 000HRS

EFFICACY MULTIPLIERS

CRI	CCT	FACTOR
80+	4000K	1.00
80+	3500K	0.98
80+	3000K	0.94
80+	2700K	0.91
90+	4000K	0.88
90+	3500K	0.85
90+	3000K	0.81
90+	2700K	0.77



Visit our website for warranty terms and conditions.

TECHNICAL DATA

ADA

BIM

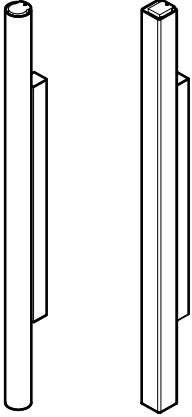
DIM

LED

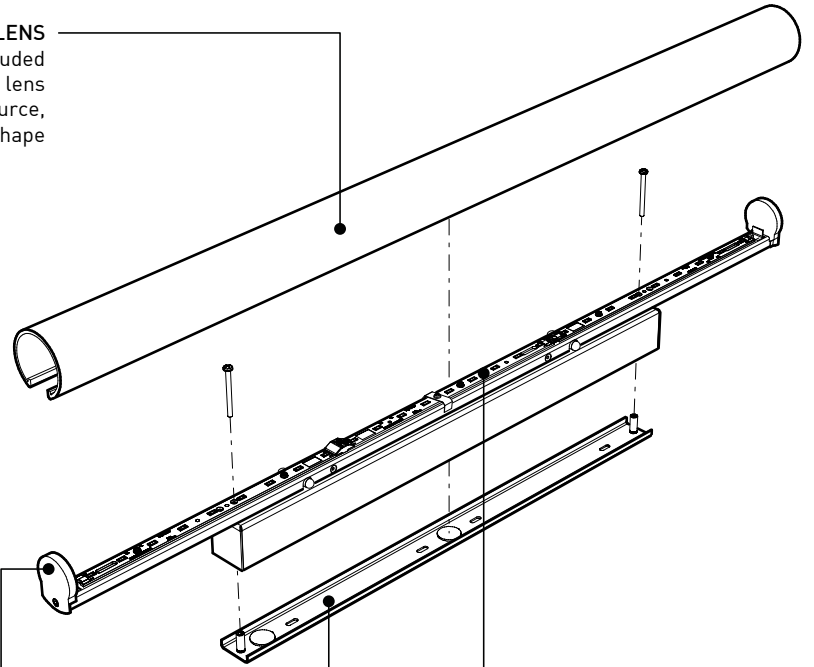
MOONRISE, MOONSET PLUS 35

3540-35
MOONRISE

3541-35
MOONSET



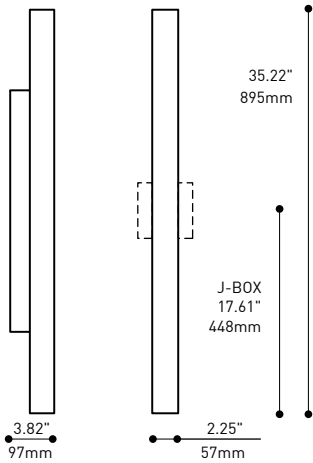
HIGH PERFORMANCE LENS
Custom blended and extruded PMMA (Acrylic composite) lens perfectly diffused with led lights source, available in round and square shape



ENDCAPS
Machined steel endcaps mechanically attached to structure with one-way security screw

EASY MOUNTING
Die-formed steel structure provides an easy access to component wiring

LED LIGHT ENGINE
ANSI binned white LED Nichia w/ on-board thermal management



PRODUCT SPECIFICATION 3540-35 REG 3540-35 HO 3541-35 REG 3541-35 HO

PERFORMANCE

SYSTEM WATTAGE	13.8 W	20.9 W	13.8 W	20.4 W
DELIVERED LUMENS (4000K)	1358 LM	1952 LM	1336 LM	1920 LM
EFFICACY	98.4 LM/W	93.4 LM/W	96.8 LM/W	94.1 LM/W

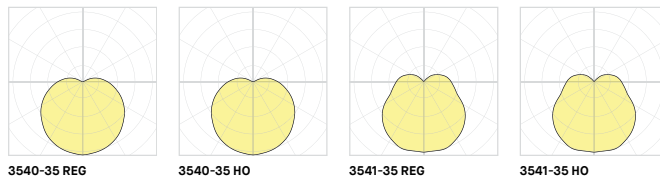
OTHER INFORMATIONS

LUMINAIRE'S WEIGHT	6,13 LBS / 2,78 KG	6,13 LBS / 2,78 KG	6,13 LBS / 2,78 KG	6,13 LBS / 2,78 KG
L70 (LUMEN MAINTENANCE)	> 60 000 HRS	> 60 000 HRS	> 60 000 HRS	> 60 000 HRS

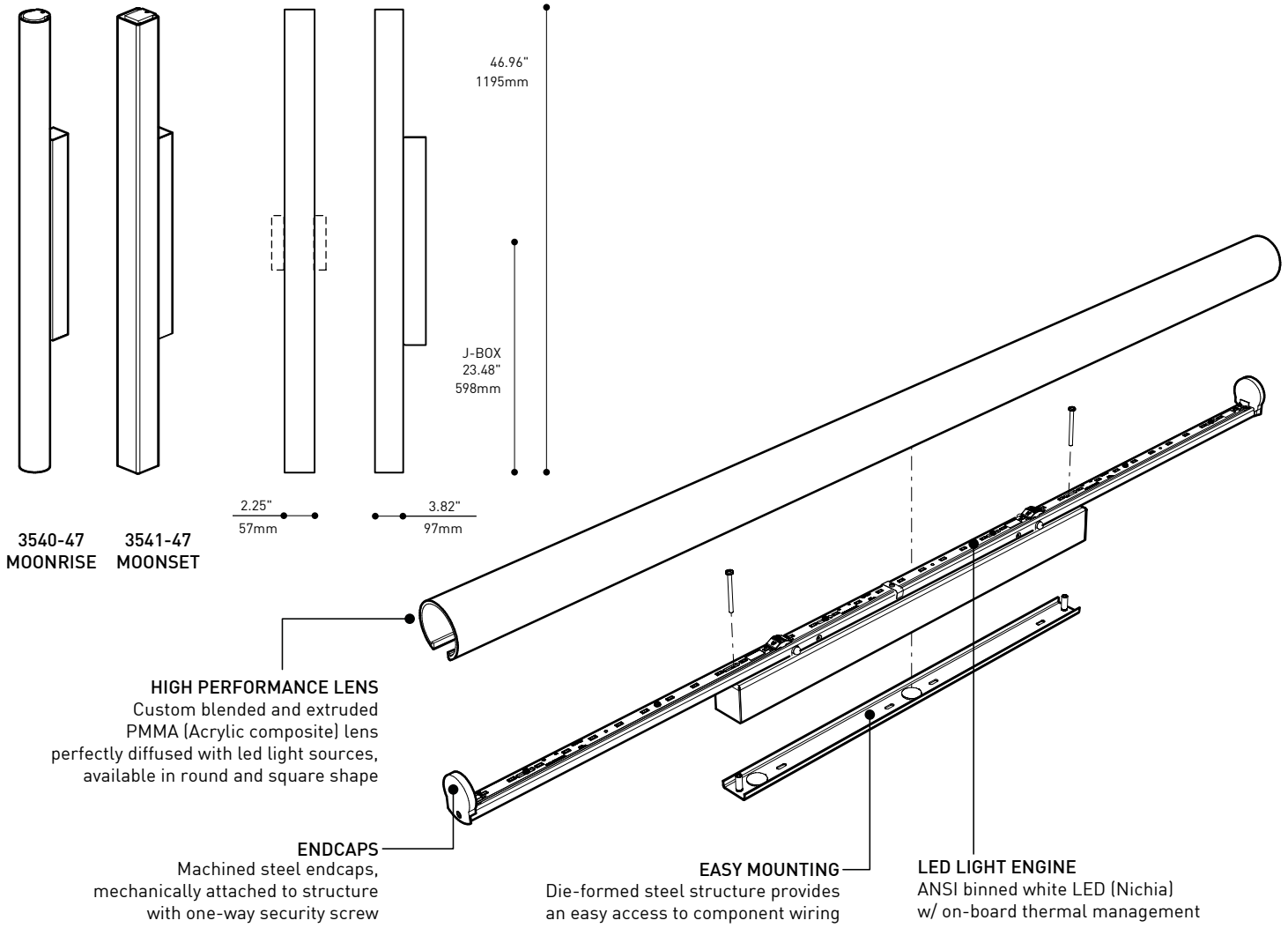
EFFICACY MULTIPLIERS

CRI	CCT	FACTOR
80+	4000K	1.00
80+	3500K	0.98
80+	3000K	0.94
80+	2700K	0.91
90+	4000K	0.88
90+	3500K	0.85
90+	3000K	0.81
90+	2700K	0.77

LIGHT DISTRIBUTION



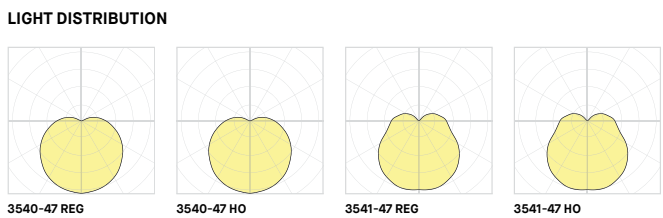
Visit our website for warranty terms and conditions.



PRODUCT SPECIFICATION	3540-47 REG	3540-47 HO	3541-47 REG	3541-47 HO
PERFORMANCE				
SYSTEM WATTAGE	17.2 W	26.1 W	17.2 W	26.1 W
DELIVERED LUMENS (4000K)	1706 LM	2452 LM	1677 LM	2410 LM
EFFICACY	99.1 LM/W	93.9 LM/W	97.5 LM/W	92.3 LM/W
OTHER INFORMATIONS				
LUMINAIRE'S WEIGHT	7.59 LBS / 3.4 KG	7.59 LBS / 3.4 KG	7.59 LBS / 3.4 KG	7.59 LBS / 3.4 KG
L70 (LUMEN MAINTENANCE)	> 60 000 HRS	> 60 000 HRS	> 60 000 HRS	> 60 000 HRS

EFFICACY MULTIPLIERS

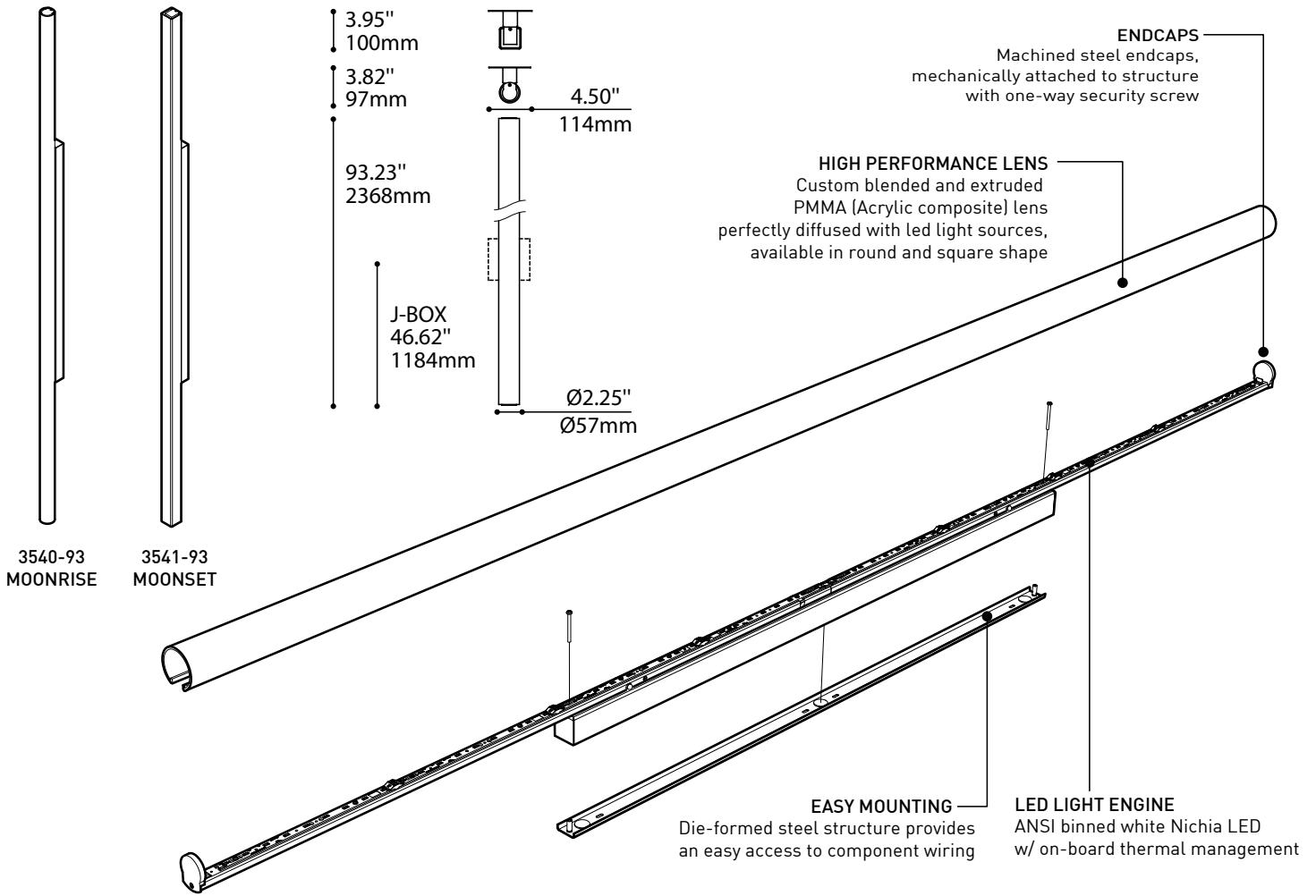
CRI	CCT	FACTOR
80+	4000K	1.00
80+	3500K	0.98
80+	3000K	0.94
80+	2700K	0.91
90+	4000K	0.88
90+	3500K	0.85
90+	3000K	0.81
90+	2700K	0.77



TECHNICAL DATA

ADA BIM DIM LED

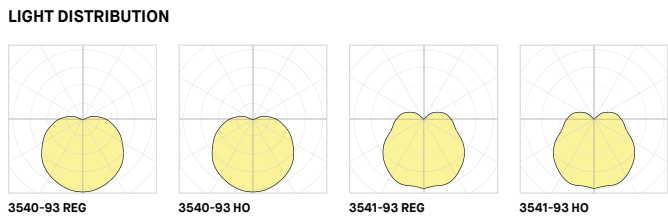
MOONRISE, MOONSET PLUS 93



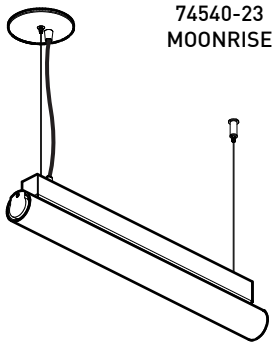
PRODUCT SPECIFICATION	3540-93 REG	3540-93 HO	3541-93 REG	3541-93 HO
PERFORMANCE				
SYSTEM WATTAGE	34.1 W	52.8 W	34.1 W	52.8 W
DELIVERED LUMENS (4000K)	3641 LM	5233 LM	3576 LM	5141 LM
EFFICACY	106.8 LM/W	99.1 LM/W	104.9 LM/W	97.4 LM/W
OTHER INFORMATIONS				
LUMINAIRE'S WEIGHT	12.05 LBS / 5.46 KG	12.05 LBS / 5.46 KG	12.05 LBS / 5.46 KG	12.05 LBS / 5.46 KG
L70 (LUMEN MAINTENANCE)	> 60 000 HRS	> 60 000 HRS	> 60 000 HRS	> 60 000 HRS

EFFICACY MULTIPLIERS

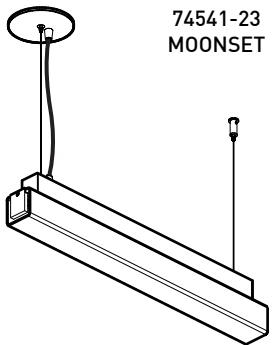
CRI	CCT	FACTOR
80+	4000K	1.00
80+	3500K	0.98
80+	3000K	0.94
80+	2700K	0.91
90+	4000K	0.88
90+	3500K	0.85
90+	3000K	0.81
90+	2700K	0.77



Visit our website for warranty terms and conditions.



**74540-23
MOONRISE**

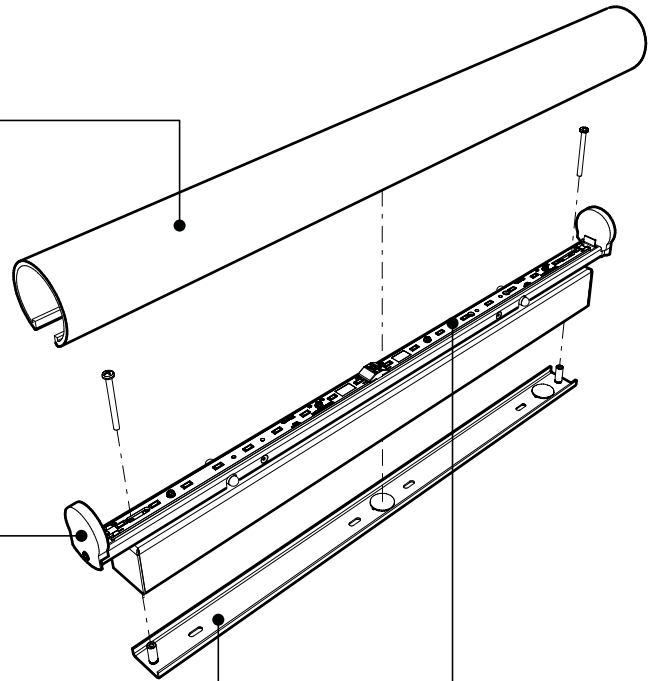


**74541-23
MOONSET**

HIGH PERFORMANCE LENS
Custom blended and extruded PMMA (Acrylic composite) lens perfectly diffused with led lights source, available in round and square shape

ENDCAPS
Machined steel endcaps mechanically attached to structure with one-way security screw

EASY MOUNTING
Field adjustable cable system combined with clear power cord, providing an easy access to component wiring



LED LIGHT ENGINE
ANSI binned white LED Nichia w/ on-board thermal management

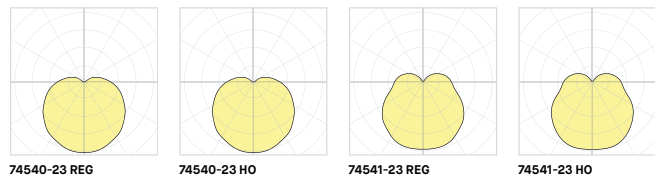
PRODUCT SPECIFICATION **74540-23 REG** **74540-23 HO** **74541-23 REG** **74541-23 HO**

PERFORMANCE				
SYSTEM WATTAGE	10 W	14.5 W	10 W	14.5W
DELIVERED LUMENS (4000K)	899 LM	1292 LM	889 LM	1278 LM
EFFICACY	89.9 LM/W	89.1 LM/W	88.9 LM/W	88.1 LM/W
OTHER INFORMATIONS				
LUMINAIRE'S WEIGHT	6.13 LBS / 2.78 KG	6.13 LBS / 2.78 KG	6.13 LBS / 2.78 KG	6.13 LBS / 2.78 KG
L70 (LUMEN MAINTENANCE)	> 60 000 HRS	> 60 000 HRS	> 60 000 HRS	> 60 000 HRS

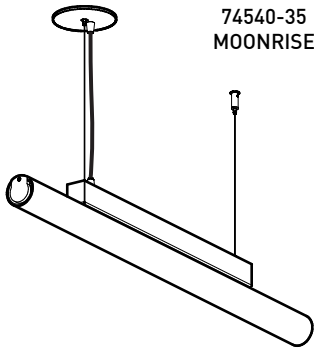
EFFICACY MULTIPLIERS

CRI	CCT	FACTOR
80+	4000K	1.00
80+	3500K	0.98
80+	3000K	0.94
80+	2700K	0.91
90+	4000K	0.88
90+	3500K	0.85
90+	3000K	0.81
90+	2700K	0.77

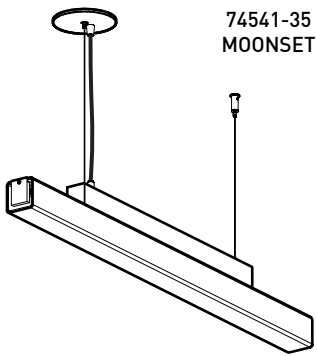
LIGHT DISTRIBUTION



Visit our website for warranty terms and conditions.

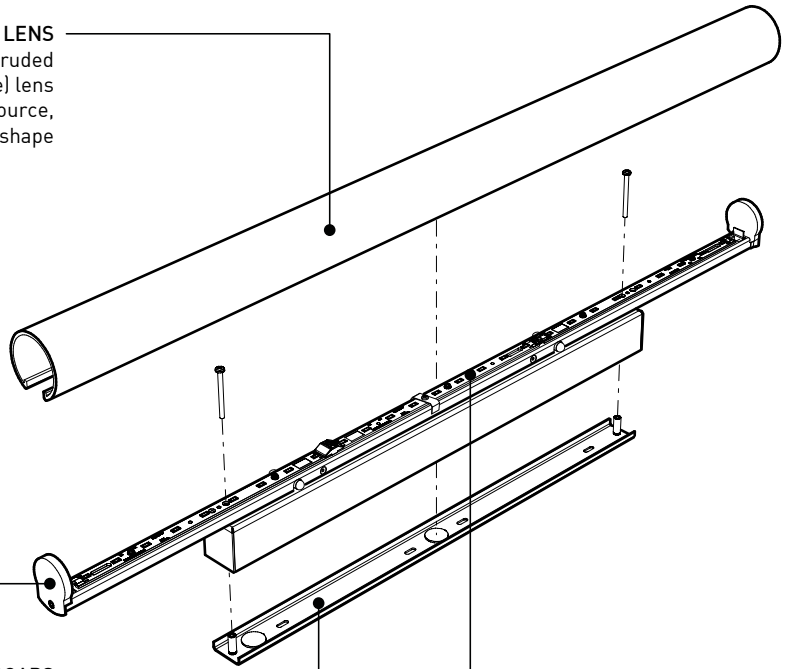


74540-35
MOONRISE



74541-35
MOONSET

HIGH PERFORMANCE LENS
Custom blended and extruded PMMA (Acrylic composite) lens perfectly diffused with led lights source, available in round and square shape



ENDCAPS
Machined steel endcaps mechanically attached to structure with one-way security screw

EASY MOUNTING
Field adjustable cable system combined with clear power cord, providing an easy access to component wiring

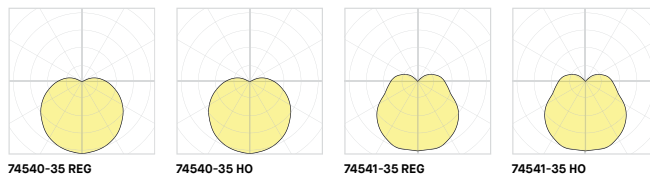
LED LIGHT ENGINE
ANSI binned white LED Nichia w/ on-board thermal management

PRODUCT SPECIFICATION	74540-35 REG	74540-35 HO	74541-35 REG	74541-35 HO
PERFORMANCE				
SYSTEM WATTAGE	13.8 W	20.9 W	13.8 W	20.4 W
DELIVERED LUMENS (4000K)	1358 LM	1952 LM	1336 LM	1920 LM
EFFICACY	98.4 LM/W	93.4 LM/W	96.8 LM/W	94.1 LM/W
OTHER INFORMATIONS				
LUMINAIRE'S WEIGHT	6.13 LBS / 2.78 KG	6.13 LBS / 2.78 KG	6.13 LBS / 2.78 KG	6.13 LBS / 2.78 KG
L70 (LUMEN MAINTENANCE)	> 60 000 HRS	> 60 000 HRS	> 60 000 HRS	> 60 000 HRS

EFFICACY MULTIPLIERS

CRI	CCT	FACTOR
80+	4000K	1.00
80+	3500K	0.98
80+	3000K	0.94
80+	2700K	0.91
90+	4000K	0.88
90+	3500K	0.85
90+	3000K	0.81
90+	2700K	0.77

LIGHT DISTRIBUTION

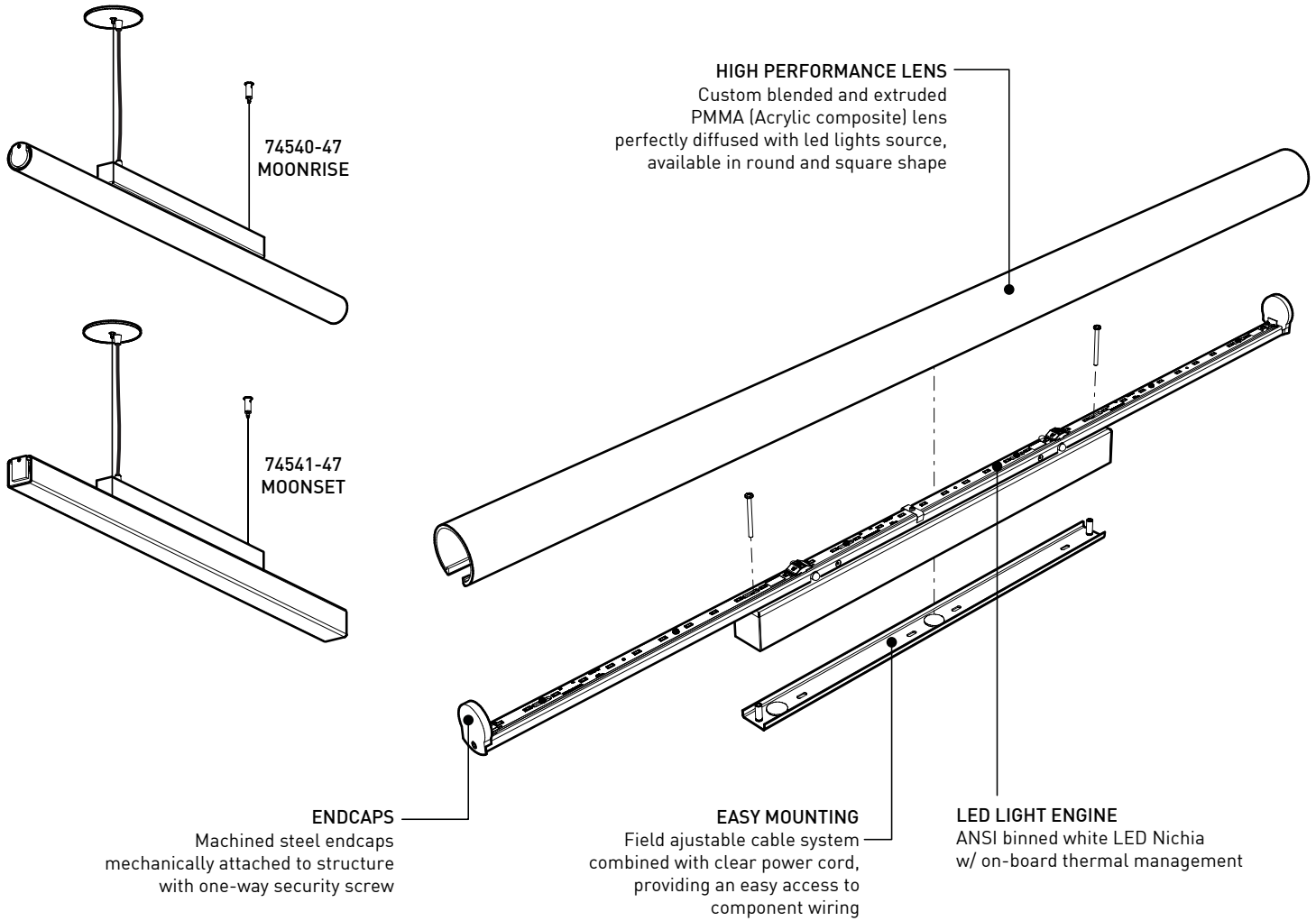


Visit our website for warranty terms and conditions.

TECHNICAL DATA

BIM **DIM** **LED**

MOONRISE, MOONSET PLUS 47

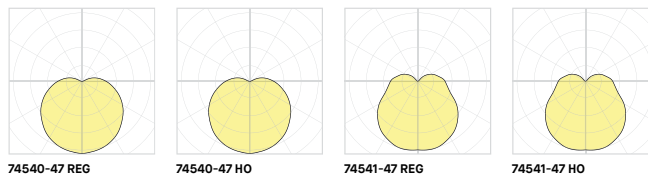


PRODUCT SPECIFICATION	74540-47 REG	74540-47 HO	74541-47 REG	74541-47 HO
PERFORMANCE				
SYSTEM WATTAGE	17.2 W	26.1 W	17.2 W	26.1 W
DELIVERED LUMENS (4000K)	1706 LM	2452 LM	1677 LM	2410 LM
EFFICACY	99.1 LM/W	93.9 LM/W	97.5 LM/W	92.3 LM/W
OTHER INFORMATIONS				
LUMINAIRE'S WEIGHT	7.59 LBS / 3.4 KG	7.59 LBS / 3.4 KG	7.59 LBS / 3.4 KG	7.59 LBS / 3.4 KG
L70 (LUMEN MAINTENANCE)	> 60 000 HRS	> 60 000 HRS	> 60 000 HRS	> 60 000 HRS

EFFICACY MULTIPLIERS

CRI	CCT	FACTOR
80+	4000K	1.00
80+	3500K	0.98
80+	3000K	0.94
80+	2700K	0.91
90+	4000K	0.88
90+	3500K	0.85
90+	3000K	0.81
90+	2700K	0.77

LIGHT DISTRIBUTION

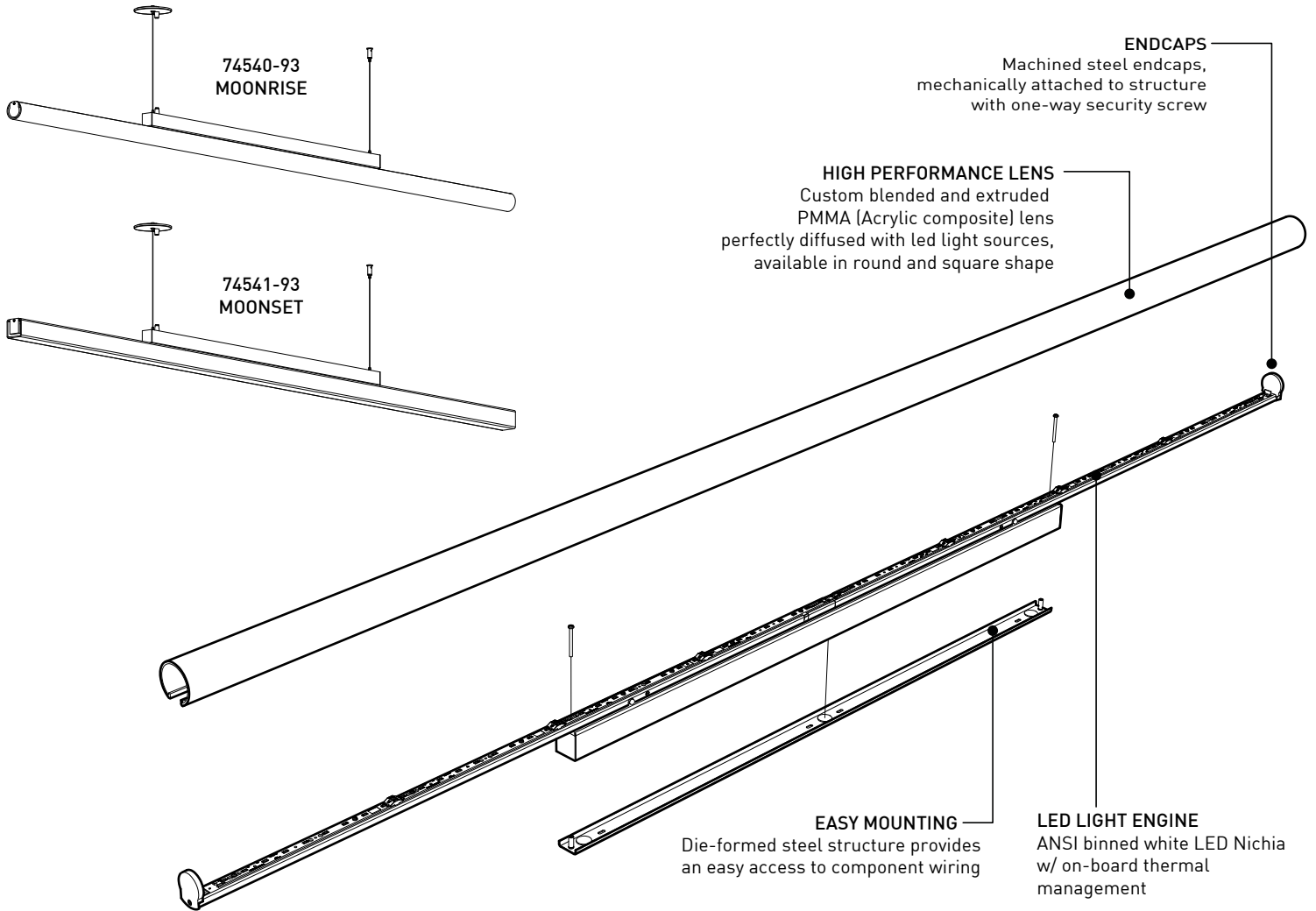


Visit our website for warranty terms and conditions.

TECHNICAL DATA

ADA BIM DIM LED

MOONRISE, MOONSET PLUS 93



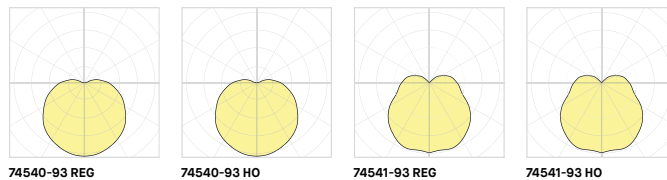
PRODUCT SPECIFICATION **74540-93 REG** **74540-93 HO** **74541-93 REG** **74541-93 HO**

PERFORMANCE				
SYSTEM WATTAGE	34.1 W	52.8 W	34.1 W	52.8 W
DELIVERED LUMENS (4000K)	3641 LM	5233 LM	3576 LM	5141 LM
EFFICACY	106.7 LM/W	99.1 LM/W	104.9 LM/W	97.4 LM/W
OTHER INFORMATIONS				
LUMINAIRE'S WEIGHT	12.05 LBS / 5.46 KG	12.05 LBS / 5.46 KG	12.05 LBS / 5.46 KG	12.05 LBS / 5.46 KG
L70 (LUMEN MAINTENANCE)	> 60 000 HRS	> 60 000 HRS	> 60 000 HRS	> 60 000 HRS

EFFICACY MULTIPLIERS

CRI	CCT	FACTOR
80+	4000K	1.00
80+	3500K	0.98
80+	3000K	0.94
80+	2700K	0.91
90+	4000K	0.88
90+	3500K	0.85
90+	3000K	0.81
90+	2700K	0.77

LIGHT DISTRIBUTION



Visit our website for warranty terms and conditions.

Photometric Report

3540+74540-23-LED-REG

CCT (K): 4000
 Delivered Lumens (lm): 899
 Lumens per foot (lm): 449.5
 System wattage (W)*: 10
 Distribution: Semi-Direct
 Delivered Efficacy (lm/W): 89.9
 Photometric type: C

Luminous dimensions

Luminous shape: Rectangle
 Units: in (mm)
 0-180 Axis: 2.4 (60.96)
 90-270 Axis: 24 (609.6)
 Height: 3.6 (91.44)

Luminaire spacing criteria

2 luminaires, plane 0: 1.37
 2 luminaires, plane 90: 1.19
 4 luminaires: 1.43

3540+74540-23-LED-HO

CCT (K): 4000
 Delivered Lumens (lm): 1292
 Lumens per foot (lm): 646
 System wattage (W)*: 14.5
 Distribution: Semi-Direct
 Delivered Efficacy (lm/W): 44.5
 Photometric type: C

Luminous dimensions

Luminous shape: Rectangle
 Units: in (mm)
 0-180 Axis: 2.4 (60.96)
 90-270 Axis: 24 (609.6)
 Height: 3.6 (91.44)

Luminaire spacing criteria

2 luminaires, plane 0: 1.37
 2 luminaires, plane 90: 1.19
 4 luminaires: 1.43

3541+74541-23-LED-REG

CCT (K): 4000
 Delivered Lumens (lm): 1292
 Lumens per foot (lm): 646
 System wattage (W)*: 14.5
 Distribution: Semi-Direct
 Delivered Efficacy (lm/W): 44.5
 Photometric type: C

Luminous dimensions

Luminous shape: Rectangle
 Units: in (mm)
 0-180 Axis: 2.4 (60.96)
 90-270 Axis: 24 (609.6)
 Height: 3.6 (91.44)

Luminaire spacing criteria

2 luminaires, plane 0: 1.37
 2 luminaires, plane 90: 1.19
 4 luminaires: 1.43

3541+74541-23-LED-HO

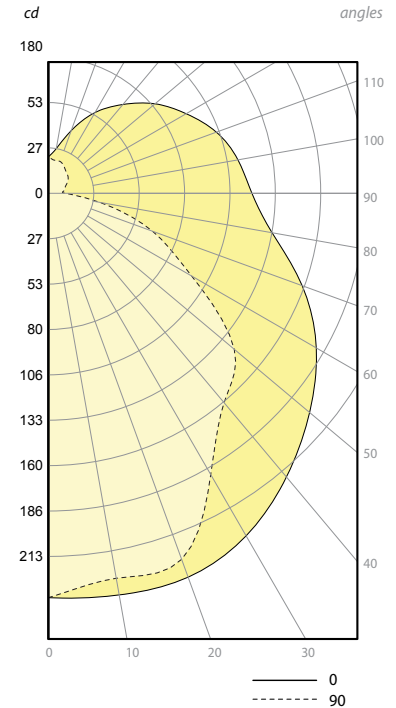
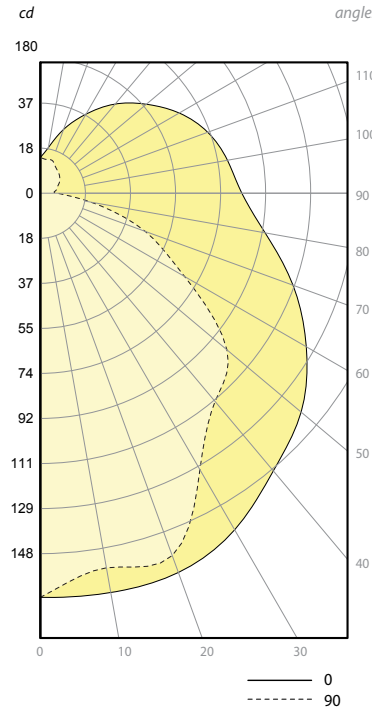
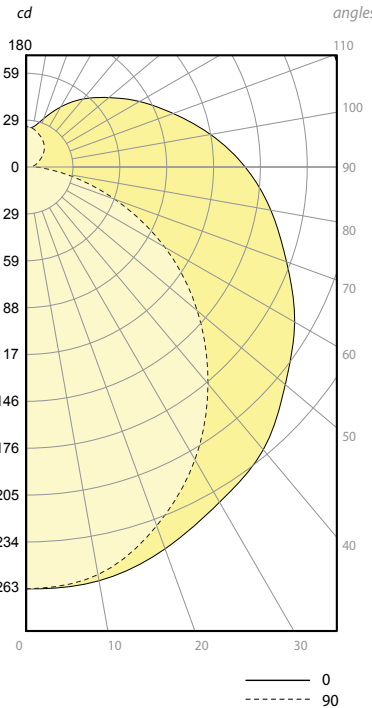
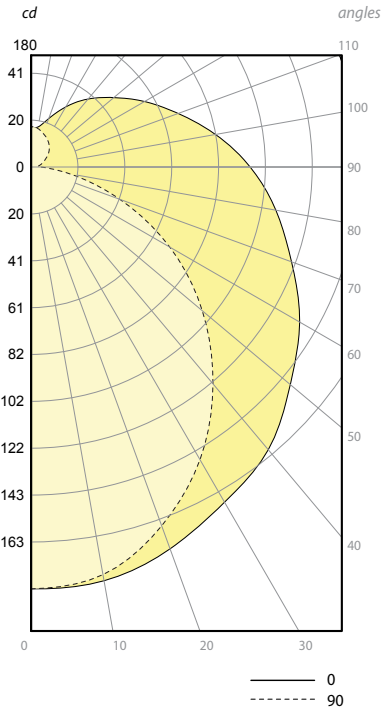
CCT (K): 4000
 Delivered Lumens (lm): 1278
 Lumens per foot (lm): 639
 System wattage (W)*: 14.5
 Distribution: Semi-Direct
 Delivered Efficacy (lm/W): 89.1
 Photometric type: C

Luminous dimensions

Luminous shape: Rectangle
 Units: in (mm)
 0-180 Axis: 2.4 (60.96)
 90-270 Axis: 24 (609.6)
 Height: 3.6 (91.44)

Luminaire spacing criteria

2 luminaires, plane 0: 1.52
 2 luminaires, plane 90: 1.25
 4 luminaires: 1.56



Photometric Report

3540+74540-35-LED-REG

CCT (K): 4000
 Delivered Lumens (lm): 1358
 Lumens per foot (lm): 452
 System wattage (W)*: 13.8
 Distribution: Semi-Direct
 Delivered Efficacy (lm/W): 98
 Photometric type: C

Luminous dimensions

Luminous shape: Rectangle
 Units: in (mm)
 0-180 Axis: 2.4 (60.96)
 90-270 Axis: 93.6 (2377.44)
 Height: 3.6 (91.44)

Luminaire spacing criteria

2 luminaires, plane 0: 1.37
 2 luminaires, plane 90: 1.17
 4 luminaires: 1.41

3540+74540-35-LED-HO

CCT (K): 4000
 Delivered Lumens (lm): 1952
 Lumens per foot (lm): 650
 System wattage (W)*: 20.9
 Distribution: Semi-Direct
 Delivered Efficacy (lm/W): 93.3
 Photometric type: C

Luminous dimensions

Luminous shape: Rectangle
 Units: in (mm)
 0-180 Axis: 2.4 (60.96)
 90-270 Axis: 93.6 (2377.44)
 Height: 3.6 (91.44)

Luminaire spacing criteria

2 luminaires, plane 0: 1.37
 2 luminaires, plane 90: 1.18
 4 luminaires: 1.43

3541+74541-35-LED-REG

CCT (K): 4000
 Delivered Lumens (lm): 1336
 Lumens per foot (lm): 445.3
 System wattage (W)*: 13.8
 Distribution: Semi-Direct
 Delivered Efficacy (lm/W): 96.8
 Photometric type: C

Luminous dimensions

Luminous shape: Rectangle
 Units: in (mm)
 0-180 Axis: 2.4 (60.96)
 90-270 Axis: 93.6 (2377.44)
 Height: 3.6 (91.44)

Luminaire spacing criteria

2 luminaires, plane 0: 1.43
 2 luminaires, plane 90: 1.18
 4 luminaires: 1.46

3541+74541-35-LED-HO

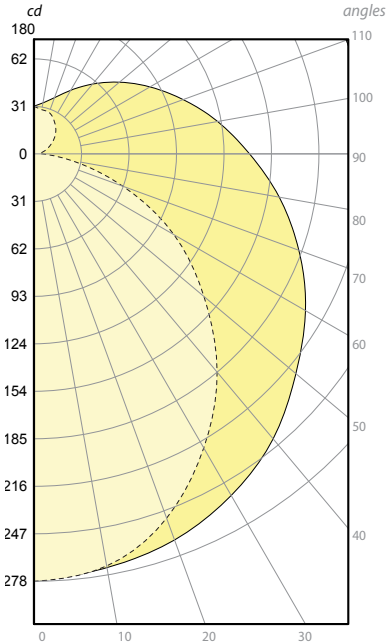
CCT (K): 4000
 Delivered Lumens (lm): 1920
 Lumens per foot (lm): 640
 System wattage (W)*: 20.4
 Distribution: Semi-Direct
 Delivered Efficacy (lm/W): 94.1
 Photometric type: C

Luminous dimensions

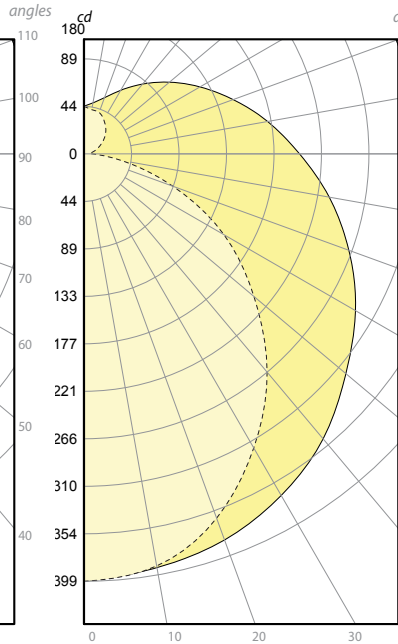
Luminous shape: Rectangle
 Units: in (mm)
 0-180 Axis: 2.4 (60.96)
 90-270 Axis: 93.6 (2377.44)
 Height: 3.6 (91.44)

Luminaire spacing criteria

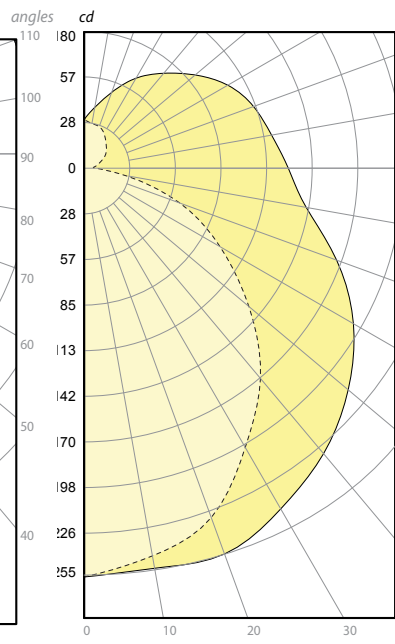
2 luminaires, plane 0: 1.44
 2 luminaires, plane 90: 1.18
 4 luminaires: 1.48



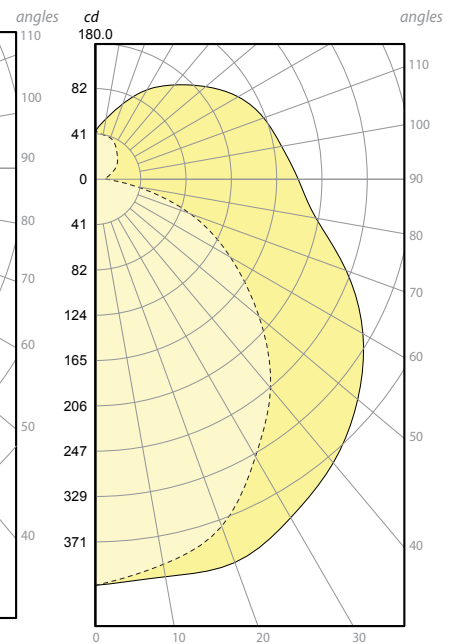
—— 0
 - - - - 90



—— 0
 - - - - 90



—— 0
 - - - - 90



—— 0
 - - - - 90

Photometric Report

3540+74540-47-LED-REG

CCT (K): 4000
 Delivered Lumens (lm): 1706
 Lumens per foot (lm): 426.5
 System wattage (W)*: 17.2
 Distribution: Semi-Direct
 Delivered Efficacy (lm/W): 99
 Photometric type: C

Luminous dimensions

Luminous shape: Rectangle
 Units: in (mm)
 0-180 Axis: 2.4 (60.96)
 90-270 Axis: 93.6 (2377.44)
 Height: 3.6 (91.44)

Luminaire spacing criteria

2 luminaires, plane 0: 1.36
 2 luminaires, plane 90: 1.17
 4 luminaires: 1.41

3540+74540-47-LED-HO

CCT (K): 4000
 Delivered Lumens (lm): 2452
 Lumens per foot (lm): 613
 System wattage (W)*: 26.1
 Distribution: Semi-Direct
 Delivered Efficacy (lm/W): 94
 Photometric type: C

Luminous dimensions

Luminous shape: Rectangle
 Units: in (mm)
 0-180 Axis: 2.4 (60.96)
 90-270 Axis: 93.6 (2377.44)
 Height: 3.6 (91.44)

Luminaire spacing criteria

2 luminaires, plane 0: 1.37
 2 luminaires, plane 90: 1.18
 4 luminaires: 1.41

3541+74541-47-LED-REG

CCT (K): 4000
 Delivered Lumens (lm): 1677
 Lumens per foot (lm): 419.2
 System wattage (W)*: 17.2
 Distribution: Semi-Direct
 Delivered Efficacy (lm/W): 97.5
 Photometric type: C

Luminous dimensions

Luminous shape: Rectangle
 Units: in (mm)
 0-180 Axis: 2.4 (60.96)
 90-270 Axis: 93.6 (2377.44)
 Height: 3.6 (91.44)

Luminaire spacing criteria

2 luminaires, plane 0: 1.43
 2 luminaires, plane 90: 1.18
 4 luminaires: 1.46

3541+74541-47-LED-HO

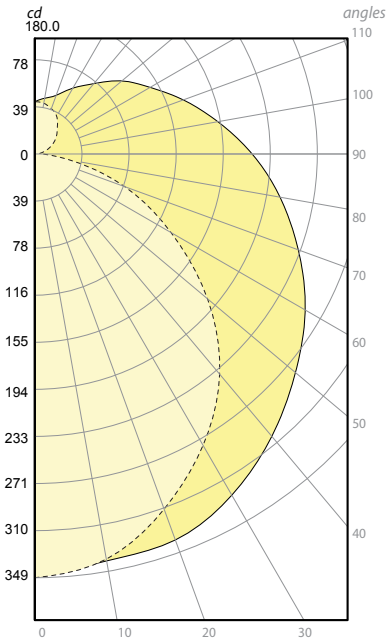
CCT (K): 4000
 Delivered Lumens (lm): 2410
 Lumens per foot (lm): 602.5
 System wattage (W)*: 26.1
 Distribution: Semi-Direct
 Delivered Efficacy (lm/W): 97.3
 Photometric type: C

Luminous dimensions

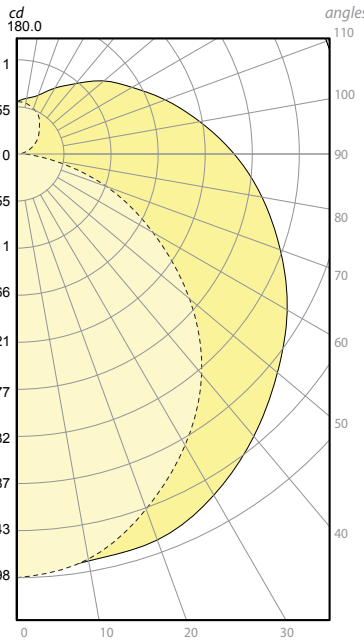
Luminous shape: Rectangle
 Units: in (mm)
 0-180 Axis: 2.4 (60.96)
 90-270 Axis: 93.6 (2377.44)
 Height: 3.6 (91.44)

Luminaire spacing criteria

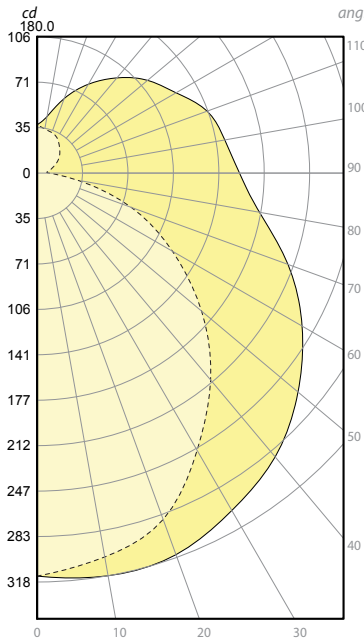
2 luminaires, plane 0: 1.44
 2 luminaires, plane 90: 1.18
 4 luminaires: 1.48



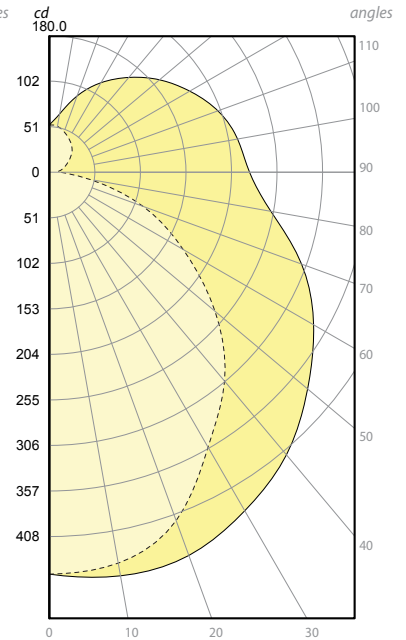
—— 0
 - - - - 90



—— 0
 - - - - 90



—— 0
 - - - - 90



—— 0
 - - - - 90

Photometric Report

3540+74540-93-LED-REG

CCT (K): 4000
 Delivered Lumens (lm): 3641
 Lumens per foot (lm): 455
 System wattage (W)*: 34.1
 Distribution: Semi-Direct
 Delivered Efficacy (lm/W): 106.7
 Photometric type: C

Luminous dimensions

Luminous shape: Rectangle
 Units: in (mm)
 0-180 Axis: 2.4 (60.96)
 90-270 Axis: 93.6 (2377.44)
 Height: 3.6 (91.44)

Luminaire spacing criteria

2 luminaires, plane 0: 1.37
 2 luminaires, plane 90: 1.21
 4 luminaires: 1.44

3540+74540-93-LED-HO

CCT (K): 4000
 Delivered Lumens (lm): 5233
 Lumens per foot (lm): 654.1
 System wattage (W)*: 52.8
 Distribution: Semi-Direct
 Delivered Efficacy (lm/W): 99.1
 Photometric type: C

Luminous dimensions

Luminous shape: Rectangle
 Units: in (mm)
 0-180 Axis: 2.4 (60.96)
 90-270 Axis: 93.6 (2377.44)
 Height: 3.6 (91.44)

Luminaire spacing criteria

2 luminaires, plane 0: 1.37
 2 luminaires, plane 90: 1.21
 4 luminaires: 1.44

3541+74541-93-LED-REG

CCT (K): 4000
 Delivered Lumens (lm): 5233
 Lumens per foot (lm): 654.1
 System wattage (W)*: 52.8
 Distribution: Semi-Direct
 Delivered Efficacy (lm/W): 99.1
 Photometric type: C

Luminous dimensions

Luminous shape: Rectangle
 Units: in (mm)
 0-180 Axis: 2.4 (60.96)
 90-270 Axis: 93.6 (2377.44)
 Height: 3.6 (91.44)

Luminaire spacing criteria

2 luminaires, plane 0: 1.37
 2 luminaires, plane 90: 1.21
 4 luminaires: 1.44

3541+74541-93-LED-HO

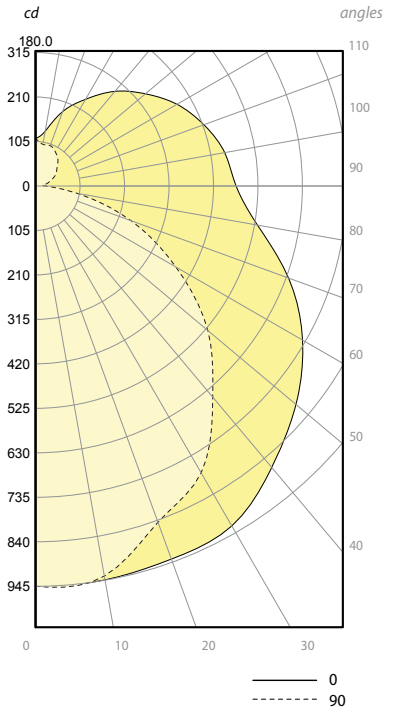
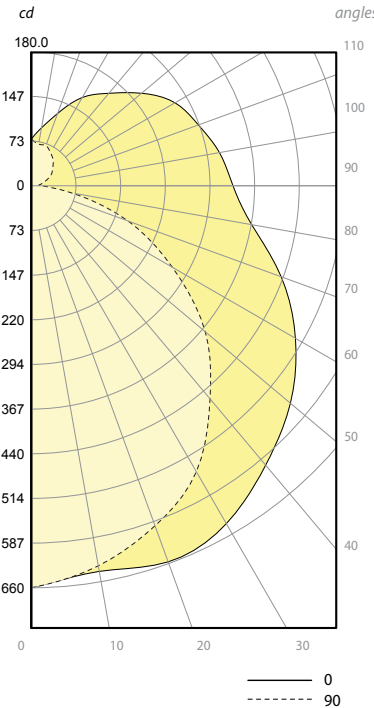
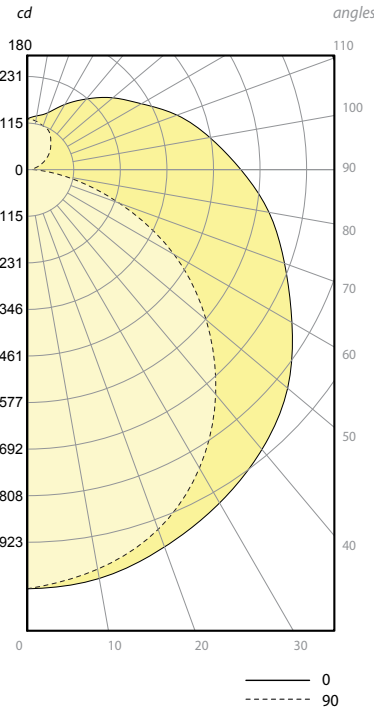
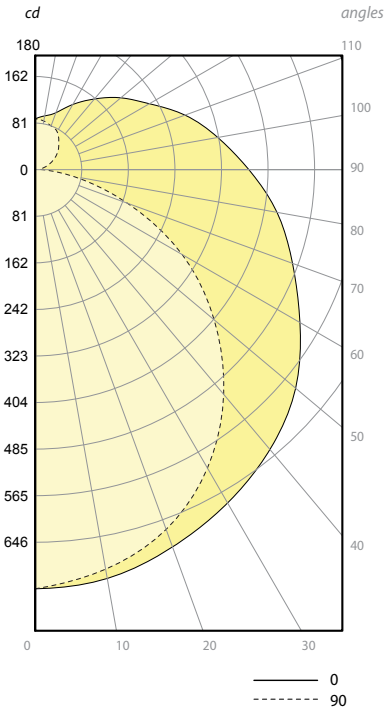
CCT (K): 4000
 Delivered Lumens (lm): 5141
 Lumens per foot (lm): 642.6
 System wattage (W)*: 52.8
 Distribution: Semi-Direct
 Delivered Efficacy (lm/W): 97.3
 Photometric type: C

Luminous dimensions

Luminous shape: Rectangle
 Units: in (mm)
 0-180 Axis: 2.4 (60.96)
 90-270 Axis: 93.6 (2377.44)
 Height: 3.6 (91.44)

Luminaire spacing criteria

2 luminaires, plane 0: 1.44
 2 luminaires, plane 90: 1.21
 4 luminaires: 1.49





Moonrise 3540 / Moonset 3541